

G2550 Cabinet Lock

Features

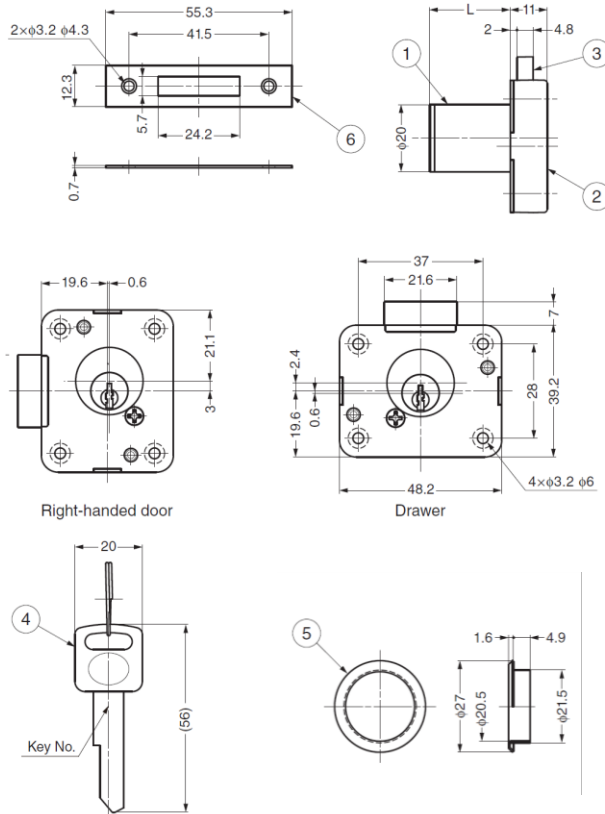
- For drawers and cabinet door application
- 300 key changes available (max. 80 key changes per master key)
- Gold finish available on request

Parts Included

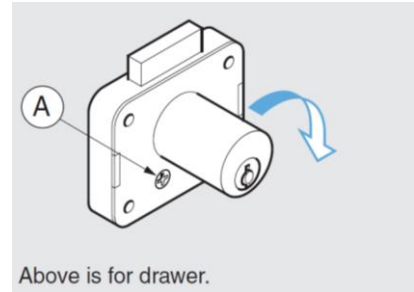
- Countersunk head wood screw 3.1×20, 2.1×10

Optional Parts (Sold Separately)

- Master key **G2550MK**
- Spacer **G2550-SP**

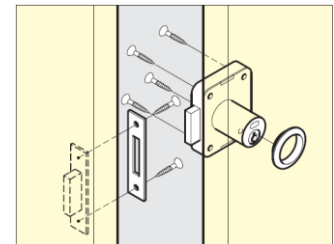
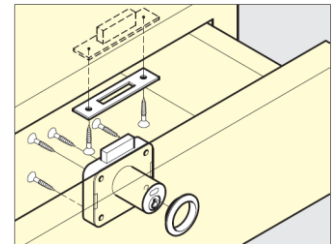


How to Switch: For Drawer / Right Handed Door Application



Above is for drawer.

- ① Remove the screw (A)
- ② Turn the lock cylinder 90° (clockwise for door application)
- ③ Fix the screw in (B)
- ④ The logo is to be forwarded upside



No.	Part Name	Material	Finish
①	Cylinder	Brass	Nickel
②	Body	Zinc Alloy (ZDC)	Nickel
③	Dead Bolt	Zinc Alloy (ZDC)	Nickel
④	Key	Brass/Resin	Nickel/Black
⑤	Ring	Brass	Nickel
⑥	Strike	Brass	Nickel

Part No.	Key Type	Master Key System	Cylinder Diameter	Door Thickness	L
G2550-24-DN-MK-B	Keyed Differently	With	Ø 20	24	24
G2550-24-DN-B		Without			
G2550-24-DN-D	Keyed Alike	With			
G2550-36-DN-MK-B	Keyed Differently	Without			
G2550-36-DN-B		With			
G2550-36-DN-D		Keyed Alike			